

■ Marker & Signal Lights

with BoardFree Technology

Features

- Fast Response LEDs
- Patented BoardFree technology
- Color Harmony & Uniformity
- Designed to work at extreme conditions



Bright Light

- Meets FMVSS 108 Regulation & SAE Specifications
- LEDs last longer & draws less current
- Standard 12 Volts
- Market Connectors: AMP, Bullet, & Flying Leads

Designed with Durability in Mind

- Fully sealed electronics
- Water, chemical & UV resistant
- Impact resistant
- Advanced thermal management
- Low profile design reduces risk of damage

10/2024

LED Signal & Marker Lights.

Our marker lights are built with durability in mind, utilizing patented BoardFree® technology. This technology enables us to produce LED lights that are water, corrosion, UV, and impact resistant. Our lamps are exceptionally durable due to their fully sealed design, which eliminates any air gaps in the assembly. When it comes to longevity, our LED signal lights are designed to endure.

3/4" Marker & Clearance Lights



Functions:

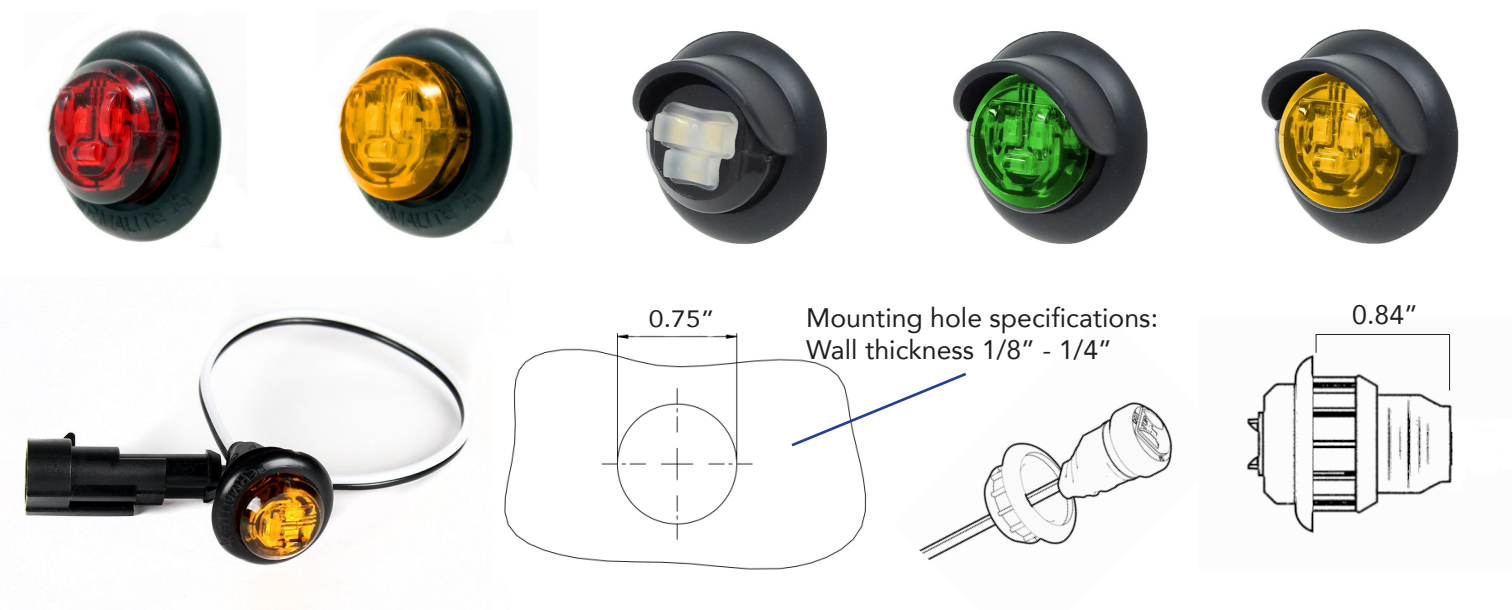
Red & Amber: Marker & Clearance lamp
(SAE) J2042 / FMVSS 108

White: License Plate (L)

Amperage: 40 mA

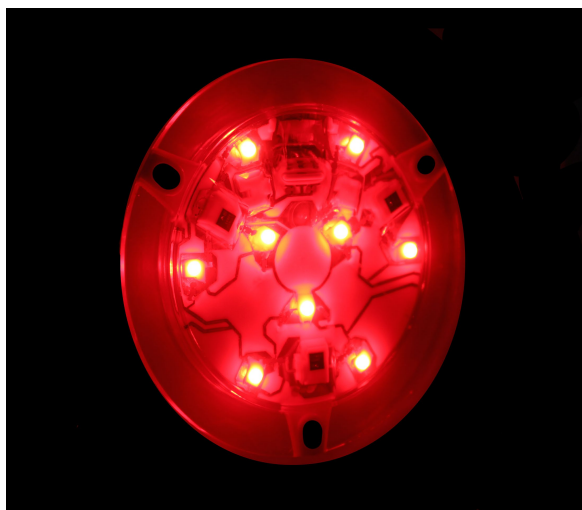


Our LED lighting is built with durability in mind, featuring patented BoardFree® technology. These lights are resistant to water, corrosion, UV, and impact. When it comes to longevity, our LED lights are designed to endure.



Innotec Part Number	Color	Connector	Function	Mounting	Voltage	Amperage	Regulations	Standards
IL02739	Red	2 Wire AMP	Single	Grommet	9-16V	40 mA	FMVSS 108	SAE PC
IL02740	Red	2 Wire Bullet	Single	Grommet	9-16V	40 mA	FMVSS 108	SAE PC
IL01887	Red	3 Wire AMP	Dual Low & High	Grommet	9-16V	15mA/ 40 mA	FMVSS 108	SAE P2 / PC
IL01888	Red	3 Wire Bullet	Dual Low & High	Grommet	9-16V	15mA/ 40 mA	FMVSS 108	SAE P2 / PC
IL01878	Amber	2 Wire AMP	Single	Grommet	9-16V	40 mA	FMVSS 108	SAE PC
IL01879	Amber	2 Wire Bullet	Single	Grommet	9-16V	40 mA	FMVSS 108	SAE PC
IL01881	Amber	3 Wire AMP	Dual Low & High	Grommet	9-16V	25mA/ 40 mA	FMVSS 108	SAE PC / PC
IL01882	Amber	3 Wire Bullet	Dual Low & High	Grommet	9-16V	25mA/ 40 mA	FMVSS 108	SAE PC / PC
IL01890	White	2 Wire AMP	Single	Hood Grommet	9-16V	40 mA	FMVSS 108	License (L)
IL01891	White	2 Wire Bullet	Single	Hood Grommet	9-16V	40 mA	FMVSS 108	License (L)
IL03149	Green	2 Wire Blunt	Single	Hood Grommet	9-16V	40 mA	No regulations	N/A

4" Round STT and Marker Lights



Functions:

Amber: Rear Turn(I) J1395, Side Marker(P2) J2042

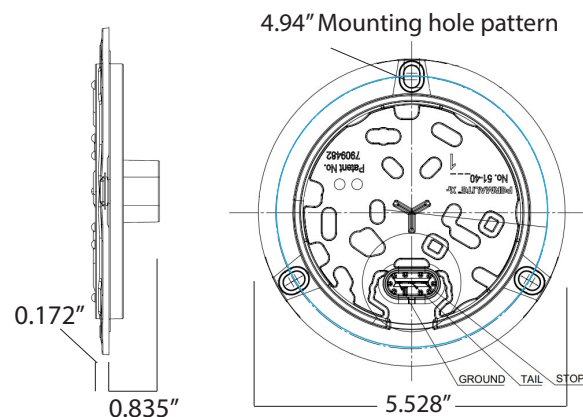
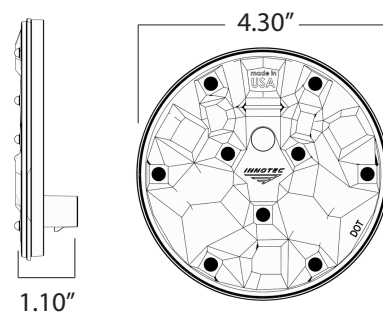
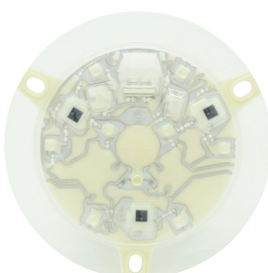
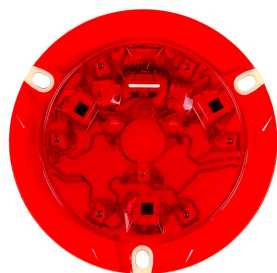
Red: Rear Turn(I) J2261, Stop(S) J2261, Tail(T) J2040

White: Back up lamp (R) J592e

Amperage: High mode (200 mA) Low mode (15 mA)

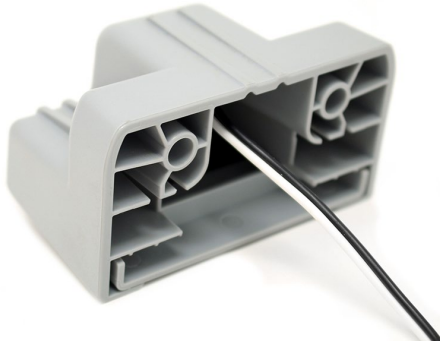
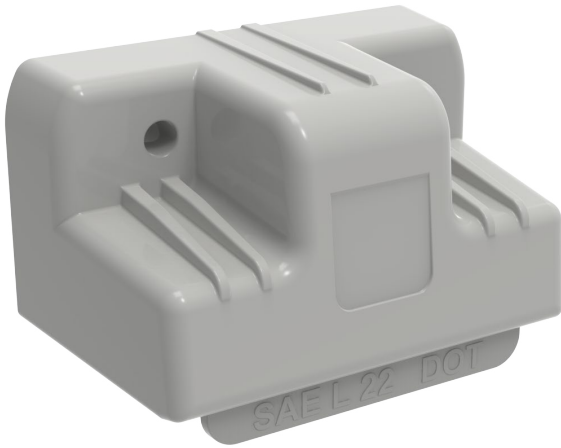


Our LED lighting is built with durability in mind, featuring patented BoardFree® technology. These lights are resistant to water, corrosion, UV, and impact. When it comes to longevity, our LED lights are designed to endure.



Innotec Part Number	Color	Connector	Mounting	Voltage	Amperage	Regulations
IL00565	Red	3 PIN AMP	Grommet	9-16V	High 200 mA / Low 15 mA	Rear Turn(I) J2261, Stop(S) J2261, Tail(T) J2040
IL00566	Amber	3 PIN AMP	Grommet	9-16V	High 200 mA / Low 15 mA	Rear Turn(I) J1395, Side Marker(P2) J2042
IL00567	White	3 PIN AMP	Grommet	9-16V	High 200 mA	Back up lamp (R) J592e
IL00554	Red	3 PIN AMP	Flange	9-16V	High 200 mA / Low 15 mA	Rear Turn(I) J2261, Stop(S) J2261, Tail(T) J2040
IL00555	Amber	3 PIN AMP	Flange	9-16V	High 200 mA / Low 15 mA	Rear Turn(I) J1395, Side Marker(P2) J2042
IL00556	White	3 PIN AMP	Flange	9-16V	High 200 mA	Back up lamp (R) J592e

License Light



Functions:

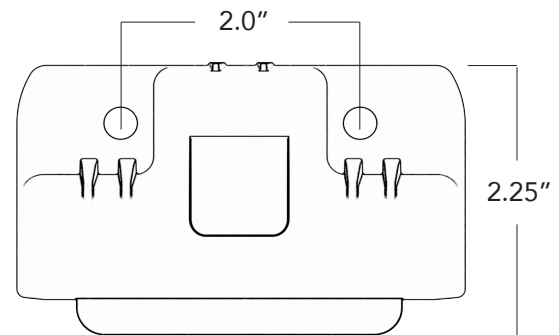
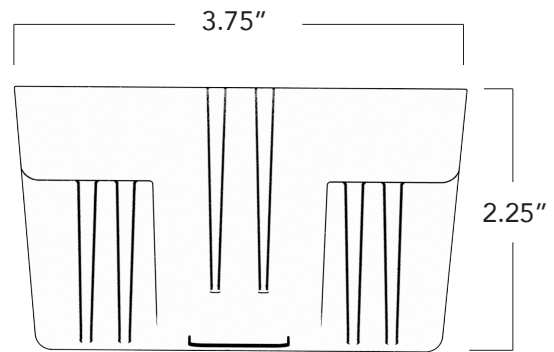
White: License Plate (L)

Amperage: 40 mA



Our LED lighting is built with durability in mind, featuring patented BoardFree® technology. These lights are resistant to water, corrosion, UV, and impact.

When it comes to longevity, our LED lights are designed to endure.



Innotec Part Number	Color	Connector	Mounting	Voltage	Amperage	Regulations
IL05562	White	2 Wire	2 Bolts	9-16V	40mA	License (L)

Low & High Profile Marker Lights



Features:

- 3" On center mounting
- Compact size for narrow mounting locations
- Advanced optics enhance signaling visibility & safety
- Lamp functions as a marker, clearance, identification and supplemental high mount stop or turn lamp.

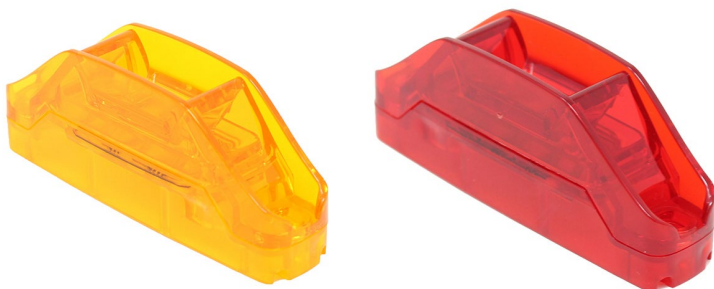


Our LED lighting is built with durability in mind, featuring patented BoardFree® technology. These lights are resistant to water, corrosion, UV, and impact. When it comes to longevity, our LED lights are designed to endure.

Advanced optics for maximum visibility



Fit-n-Forget Connector



Innotec Part Number	Color	Connector	Function	Mounting	Voltage	Amperage	Regulations	Standards
IL04024	Tall Red	Fit-n-Forget	Single	Through holes	9-16V	40mA	FMVSS 108	SAE PC2
IL04026	Short Red	Fit-n-Forget	Single	Through holes	9-16V	40mA	FMVSS 108	SAE PC2
IL04023	Tall Amber	Fit-n-Forget	Single	Through holes	9-16V	40mA	FMVSS 108	SAE PC2
IL04025	Short Amber	Fit-n-Forget	Single	Through holes	9-16V	40mA	FMVSS 108	SAE PC2

5.5" J2039 Mid-Turn/Marker Light

Functions:

Side Marker (P2) J2042, J2039

Features:

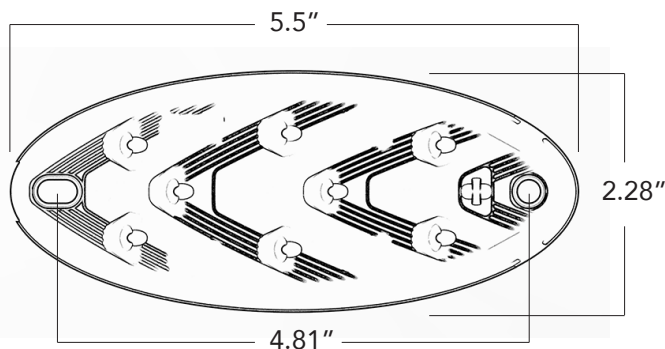
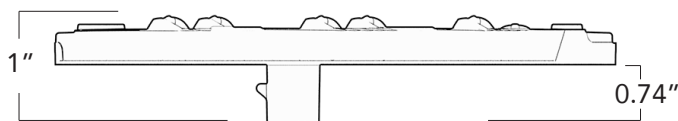
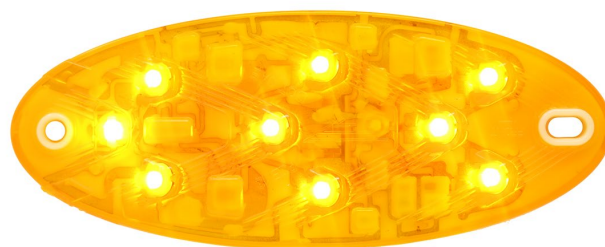
- 10 times thinner than any other J2039 side turn light on the market
- Meets SAE P2 E specifications for turn signals and side markers
- Low stress mounting holes

Amperage: 360 mA / 50 mA

Mounting Hole Size: 0.1925" diameter



Our LED lighting is built with durability in mind, featuring patented BoardFree® technology. These lights are resistant to water, corrosion, UV, and impact. When it comes to longevity, our LED lights are designed to endure.



Innotec Part Number	Color	Connector	Mounting	Voltage	Amperage	Regulations
IL00195	Amber	3 PIN AMP	Flange	9-16V	High 360 mA / Low 50 mA	Side Marker(P2) J2042, J2039

6" Oval STT, ST, and Marker Lights

Functions:

Amber: Rear Turn(I) J1395, Side Marker (P2) J2042

Red: Rear Turn(I) J2261, Stop(S) J2261, Tail(T) J2040

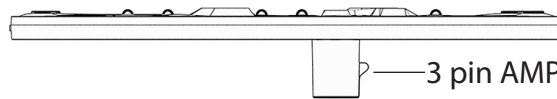
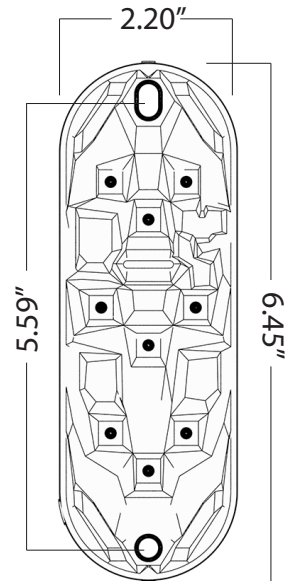
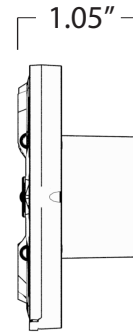
White: Back up lamp (R) J592e



Amperage: High mode (200 mA) Low mode (15 mA)



Our LED lighting is built with durability in mind, featuring patented BoardFree® technology. These lights are resistant to water, corrosion, UV, and impact. When it comes to longevity, our LED lights are designed to endure.



3 pin AMP Locking Connector

Innotec Part Number	Color	Connector	Mounting	Voltage	Amperage	Regulations
IL01103	Red	3 PIN AMP	Grommet	9-16V	High 200 mA / Low 15 mA	Rear Turn(I) J2261, Stop(S) J2261, Tail(T) J2040
IL01104	Amber	3 PIN AMP	Grommet	9-16V	High 200 mA / Low 15 mA	Rear Turn(I) J1395, Side Marker(P2) J2042
IL01105	White	3 PIN AMP	Grommet	9-16V	High 200 mA	Back up Lamp (R) J592 e
IL01081	Red	3 PIN AMP	Flange	9-16V	High 200 mA / Low 15 mA	Rear Turn (I) J2261, Stop(S) J2261, Tail(T) J2040
IL01082	Amber	3 PIN AMP	Flange	9-16V	High 200 mA / Low 15 mA	Rear Turn(I)J1395, Side Marker (P2) J2042
IL01083	White	3 PIN AMP	Flange	9-16V	High 200 mA	Back up Lamp (R) J592e

Low Profile J2039 Side Marker Lights



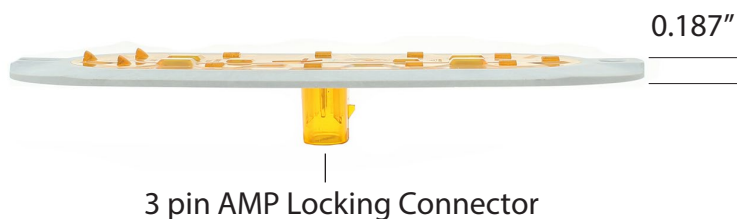
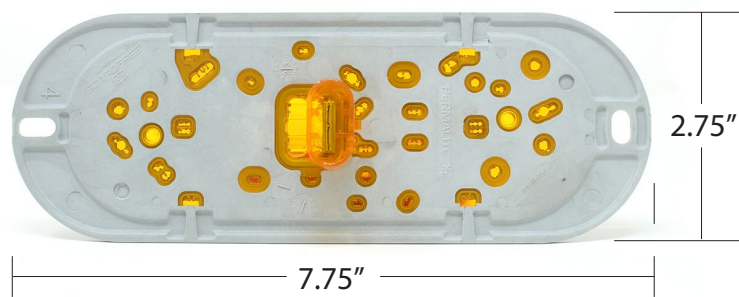
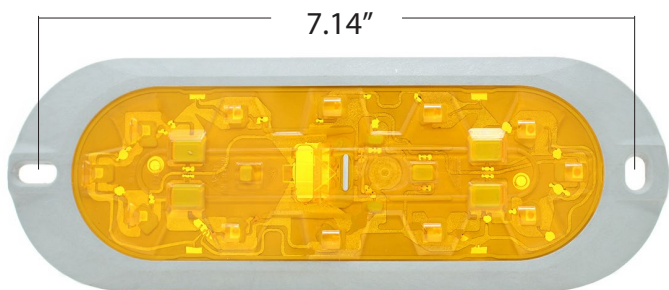
Functions:

Side Marker: (P2) J2042, J2039

Amperage: High 320 mA / Low 45 mA



Our LED lighting is built with durability in mind, featuring patented BoardFree® technology. These lights are resistant to water, corrosion, UV, and impact. When it comes to longevity, our LED lights are designed to endure.



Innotec Part Number	Color	Connector	Mounting	Voltage	Amperage	Regulations
IL04760	Amber	3 PIN AMP	Flange	9-16V	High 320 mA / Low 45 mA	Side Marker (P2) J2042, J2039

12 LED Low Profile Flange Mount Oval Lights

Functions:

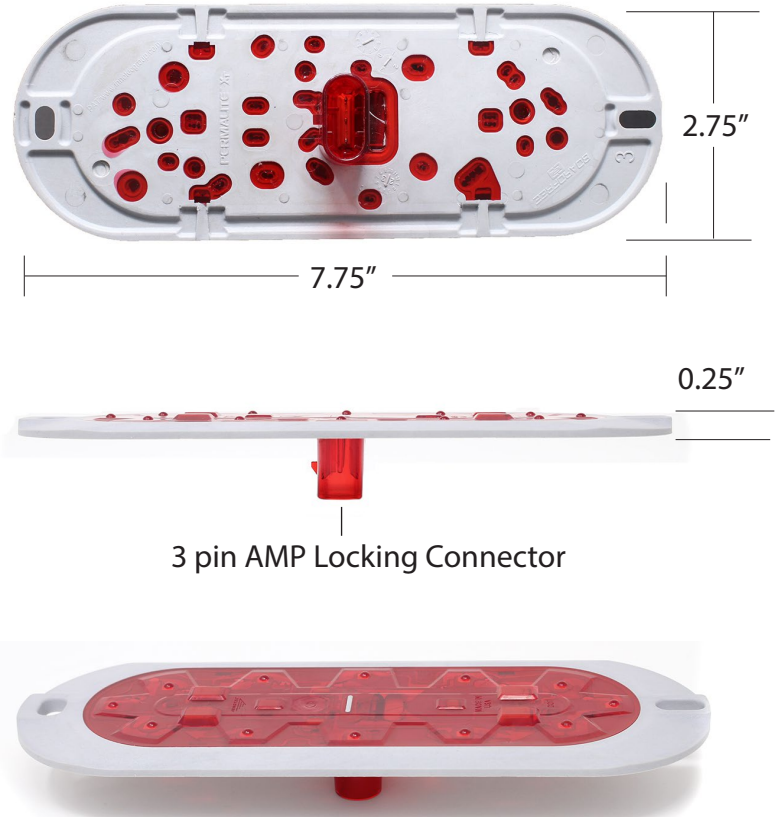
Amber: Front Turn(I), Side Marker (P2) J2042, Rear Turn(I) J1395,

Red: Rear Turn(I) J2261, Stop(S) J2261, Tail(T) J2040

White: Back up lamp (R) J592e



Our LED lighting is built with durability in mind, featuring patented BoardFree® technology. These lights are resistant to water, corrosion, UV, and impact. When it comes to longevity, our LED lights are designed to endure.



3 pin AMP Locking Connector

Innotec Part Number	Color	Connector	Mounting	Voltage	Amperage	Regulations
IL04836	Red	3 PIN AMP	Flange	9-16V	High 370 mA / Low 45 mA	Rear Turn(I) J2261, Stop(S) J2261, Tail(T) J2040
IL04761	Amber	3 PIN AMP	Flange	9-16V	High 320 mA / Low 45 mA	Front Turn (I) J2261, Side Marker(P2) J2042, Rear Turn(I) J1395
IL04762	White	3 PIN AMP	Flange	9-16V	High 320 mA	Back up Lamp (R) J592 e

12 LED Low Profile Grommet Mount Oval Lights



Functions:

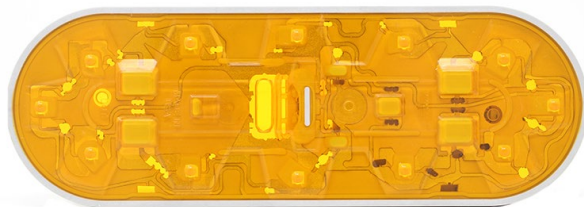
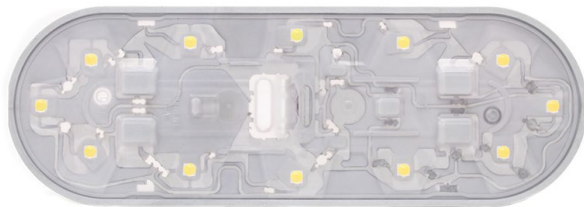
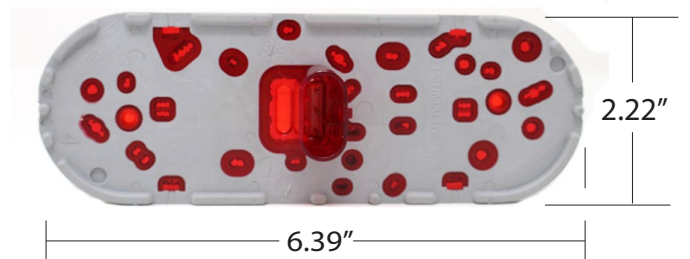
Amber: Front Turn(I), Side Marker (P2) J2042, Rear Turn(I) J1395,

Red: Rear Turn(I) J2261, Stop(S) J2261, Tail(T) J2040

White: Back up lamp (R) J592e



Our LED lighting is built with durability in mind, featuring patented BoardFree® technology. These lights are resistant to water, corrosion, UV, and impact. When it comes to longevity, our LED lights are designed to endure.



Innotec Part Number	Color	Connector	Mounting	Voltage	Amperage	Regulations
IL04782	Red	3 PIN AMP	Grommet	9-16V	High 370 mA / Low 45 mA	Rear Turn(I) J2261, Stop(S) J2261, Tail(T) J2040
IL04783	Amber	3 PIN AMP	Grommet	9-16V	High 320 mA / Low 45 mA	Front Turn (I) J2261, Side Marker(P2) J2042, Rear Turn(I) J1395
IL04784	White	3 PIN AMP	Grommet	9-16V	High 320 mA	Back up Lamp (R) J592 e